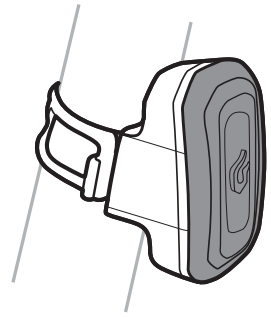


CLICK USB REAR™

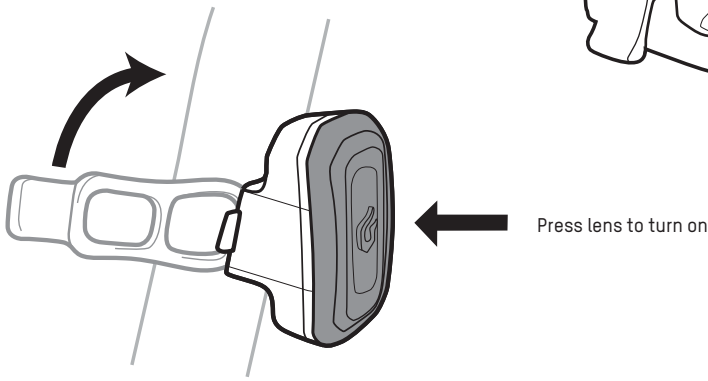
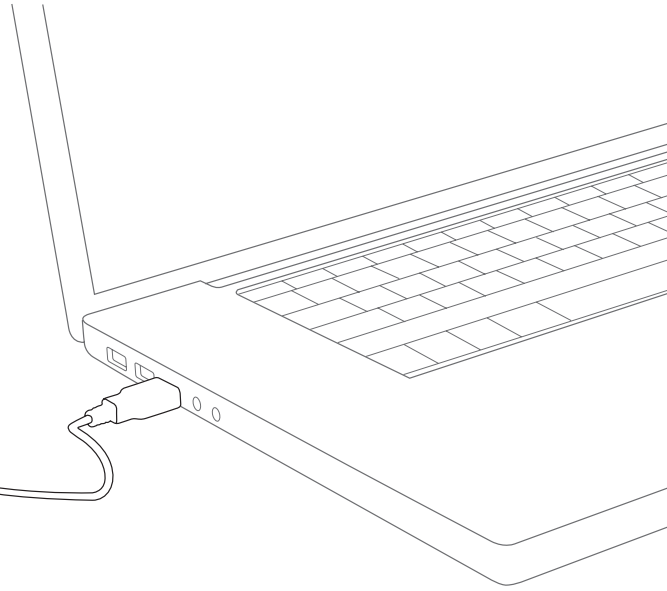
Light

Part# 7074412, 7074692, 7074704,
7074701, 7074703, 7074702



Push lens to turn on / Cycle Modes / Hold lens down to turn off

Red indicator will remain on constant when charging.
When charging is complete, the indicator will turn to green.
100% - 75% Battery capacity, fuel gauge is OFF.
75% - 25% Battery capacity, green fuel gauge remains on constant.
25% - 0% Battery capacity, red fuel gauge remains on constant.
MAKE SURE TO FULLY CHARGE LIGHT BEFORE FIRST USE



⚠ WARNING: POTENTIAL CHOKING HAZARD TO CHILDREN. THIS LIGHT IS EXTREMELY BRIGHT – DO NOT AIM DIRECTLY INTO EYES. UK ONLY: WHEN USED FOR CYCLING, THIS LIGHT SHOULD BE USED IN CONJUNCTION WITH BRITISH STANDARD 6102/3 CYCLE LIGHT.

* Ask your retailer for full warranty policy or visit www.blackburndesign.com/warranty

Includes: 1 LiPo Battery, 1 USB Cable, 1 Manual

Visit us at blackburndesign.com for product updates

FL 1 STANDARD	HIGH	STROBE
	20 LUMENS	20 LUMENS
	1.5 hrs	3 hrs
	7 cd	7 cd
	5 m	5 m
	1m	



Customer Service: 1-800-456-2355
Blackburndesign.com
Printed in China

**LIMITED
LIFETIME
WARRANTY**
*RESTRICTIONS & CONDITIONS APPLY

This equipment has been tested and found to comply with the limits for a Class B digital device, pursuant to Part 15 of the FCC Rules. These limits are designed to provide reasonable protection against harmful interference in a residential installation. This equipment generates, uses and can radiate radio frequency energy and, if not installed and used in accordance with the instructions, may cause harmful interference to radio communications. However, there is no guarantee that interference will not occur in a particular installation. If this equipment does cause harmful interference to radio or television reception, which can be determined by turning the equipment off and on, the user is encouraged to try to correct the interference by one or more of the following measures: • Reorient or relocate the receiving antenna. • Increase the separation between the equipment and receiver. • Connect the equipment into an outlet on a circuit different from that to which the receiver is connected. • Consult the dealer or an experienced radio/TV technician for help. Shielded interface cable must be used with the equipment in order to comply with the limits for a digital device pursuant to Subpart B of Part 15 of FCC Rules. Specifications and designs are subject to change without any notice or obligation on the part of the manufacturer.